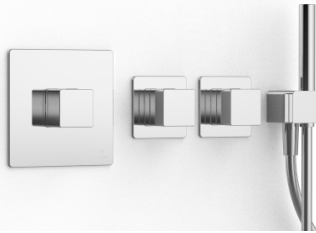


Modern - Built-in shower set

Codice kit: 5700 UDI-120

Built-in thermostatic shower with flat shower head (Flyfall ®), tubular waterfall and led, hand shower – 4 exits



Componenti



Thermostatic control

Cod: 6700T550A00

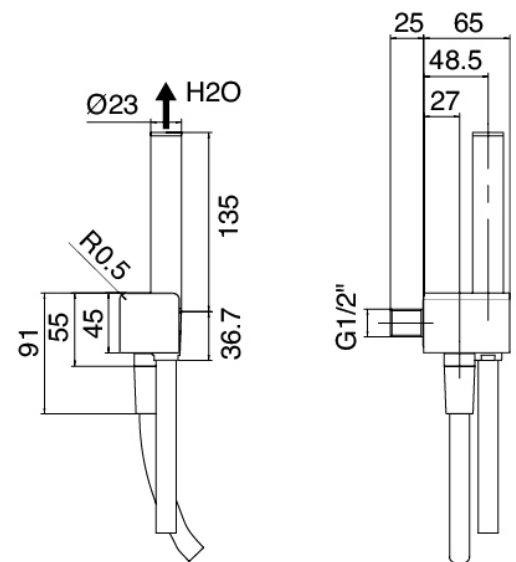
Concealed thermostatic mixer - external parts



Stand alone hand shower

Cod: 5700Q419A00

Handshower set, with POP handshower with water outlet and support





Untreated finish part

Cod: 2900D802A00

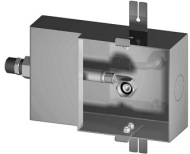
4- ways built-in thermostatic (2 diverters)- rough parts



Diverter tap

Cod: 6700Y407AA0

In-line concealed valves - external parts



Square box

Cod: 5700SO03AB0

Built -in box squared showerhead



Rectangular box

Cod: 5700SO01AB0

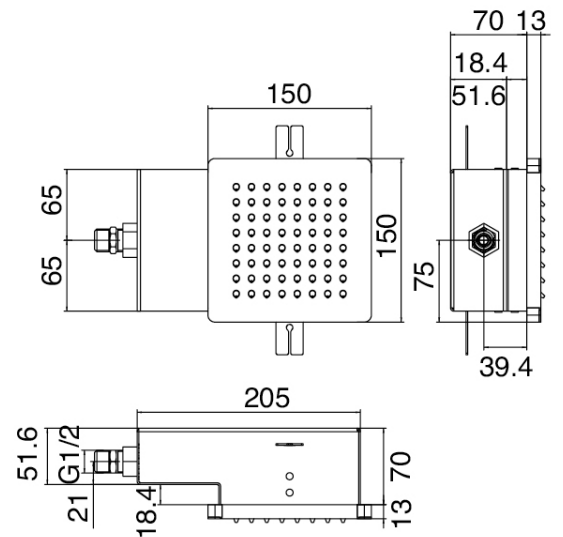
Built -in box vertical showerhead



Square shower head Waterfall

Cod: 5700SO03AA0

Squared wall-mounted showerhead 150x150mm
con Flyfall

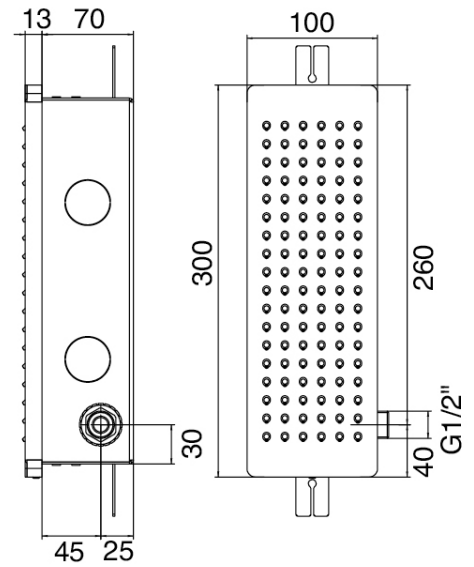




Rectangular shower head Waterfall

Cod: 5700SO01AA0

Vertical wall-mounted showerhead 100X300mm
with Flyfall



Finiture disponibili:

finiture speciali su richiesta salvo quantitativi minimi di ordine garantiti



cromo

CRCR



acciaio spazzolato

ASAS