



Modern - Sliding bar with hand shower

Codice kit: 3100 ADI-090

Sliding bar with hand shower and built-in mixer – 1 exit

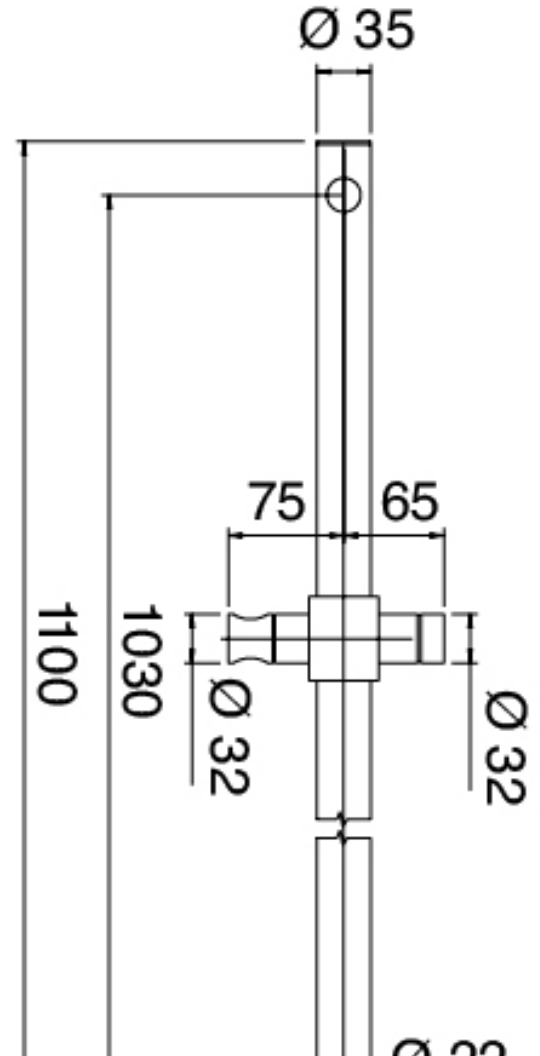
Componenti



Sliding bar

Cod: 6800A414A00

Sliding bar

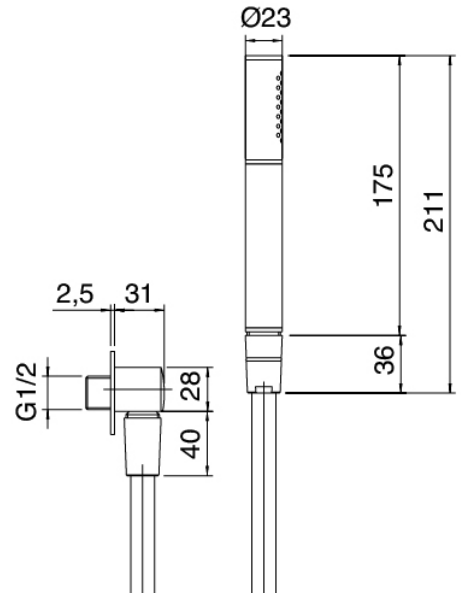




Hand shower

Cod: 6800Q417A00

Handshower



Single-lever mixer

Cod: 3100A402A00

Concealed shower mixer - external part



Untreated finish part

Cod: 3500B402A00

Concealed shower mixer - concealed part

Finiture disponibili:

finiture speciali su richiesta salvo quantitativi minimi di ordine garantiti



cromo

CRCR



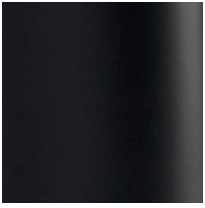
acciaio spazzolato

ASAS



bianco

1010



nero

3131